

Venus 500

Fully Automated Chemiluminescence Immunoassay Analyzer

Floor efficiency ratio: 615T/H/M²



Performance of floor-standing
analyzer with benchtop dimensions

compact and precise | high-speed and stable | super cost-effective

C O N T E N T S

V e n u s 1 0 0

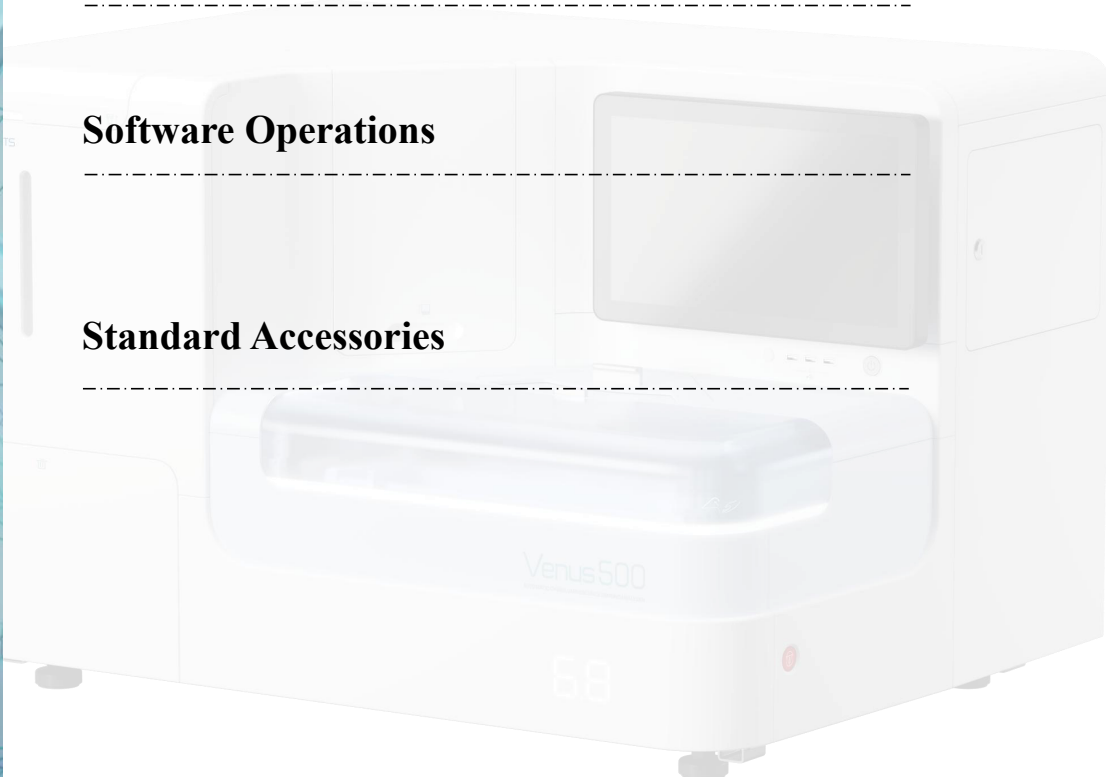
Instrument Specifications

Functional Modules

Instrument Parameters

Software Operations

Standard Accessories



Venus 500 Automatic Chemiluminescence Immunoassay Analyzer

Venus 500 series automatic chemiluminescence immunoassay analyzer—450T/H

It is compact in size, with comprehensive functions, and offers high throughput
It is fully compatible with the Venus series, featuring intelligent human-computer interaction, real-time monitoring, continuous sample loading, and supports STAT assays at any time

Fully compatible with the AE/ AP/HRP principle

Carryover
 ≤ 0.1 ppm

Throughput

450T/H

Reagent positions
32

Precision

$\leq 3\%$

Sample positions
120

RVs

1000

Small Size High Performance

Performance of floor-standing analyzer with benchtop dimensions

Compact Structure Precise Results

120 sample positions
32 reagent positions
Dual backup for substrate

Fully Featured Smart Convenient

Sample loading and unloading at any time
Batch sample processing
Real-time monitoring

Instrument Specifications

Batch sample loading by tray

120 sample positions, batch sample loading by tray
cos sample loading at any time

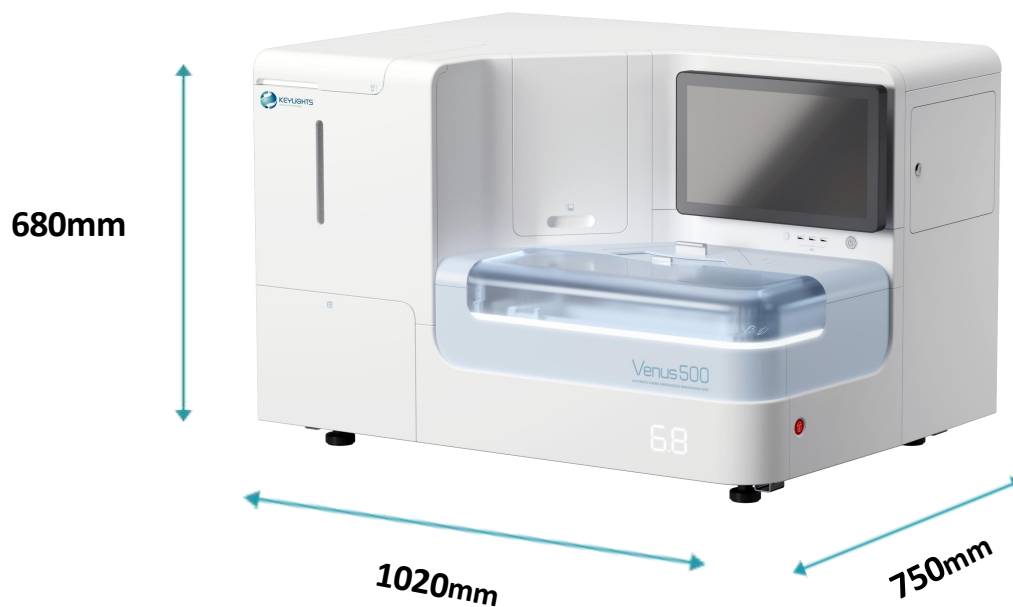
Full-featured, easy to operate

15.6-inch capacitive touchscreen with a freshly designed visual user interface, user-friendly interaction, and comprehensive functionality covering all application scenarios

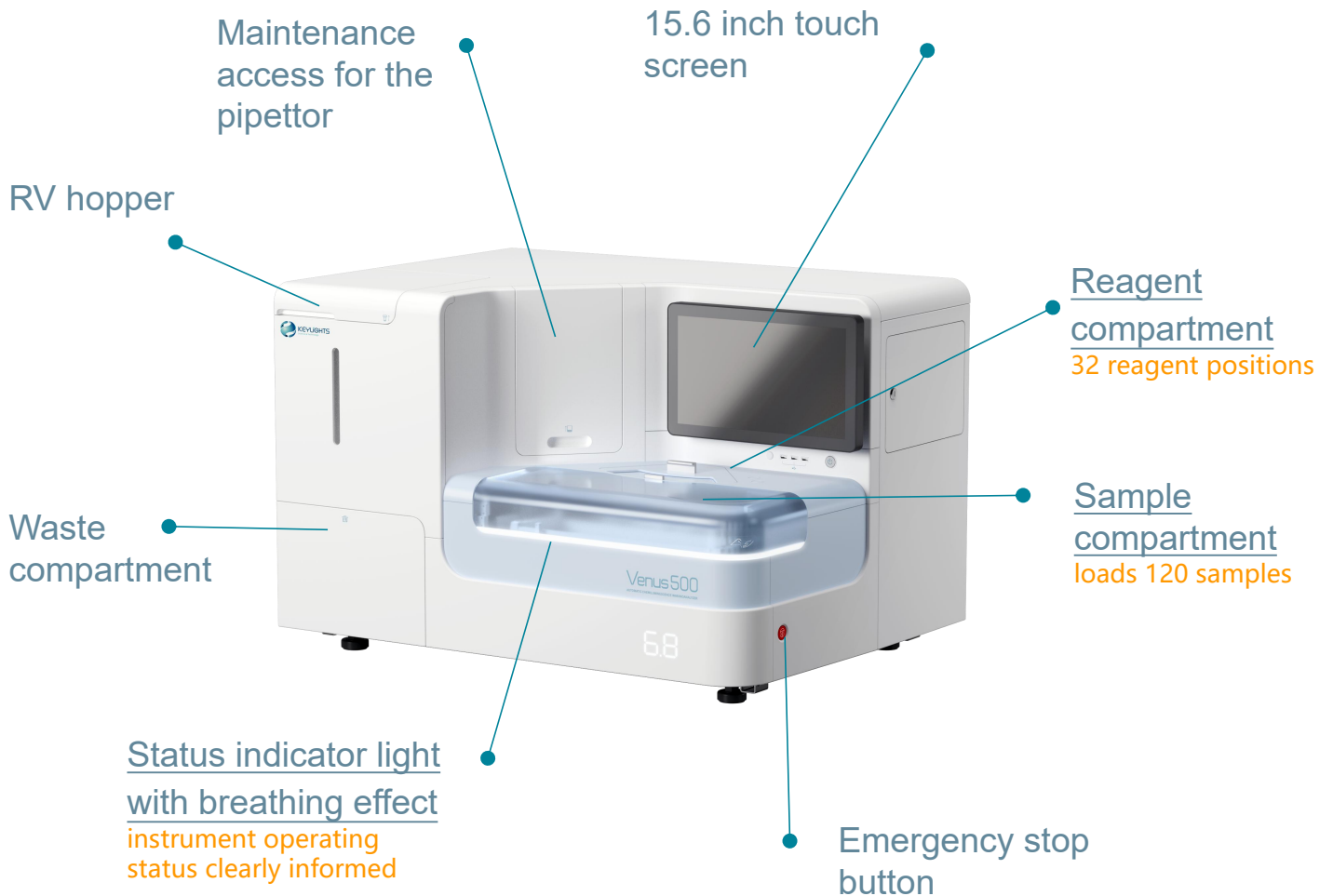
Floor efficiency ratio: 615T/H/m²

Holding a safe lead in floor efficiency

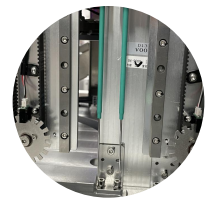
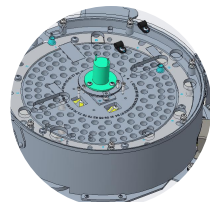
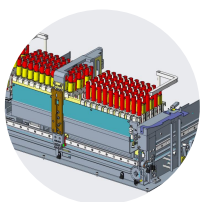
Dimensions : 1020mm*750mm*680mm



Functional Module



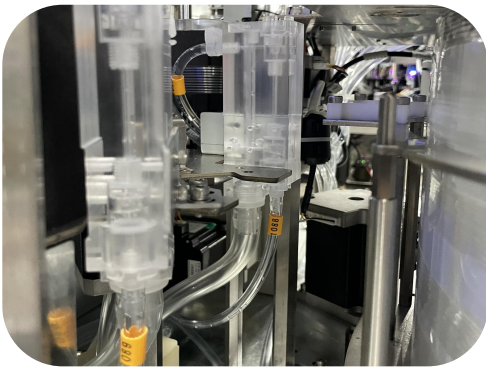
Waste compartment / Sample tray / Incubation module / Reagent compartment / Probe wash / Reagent probe



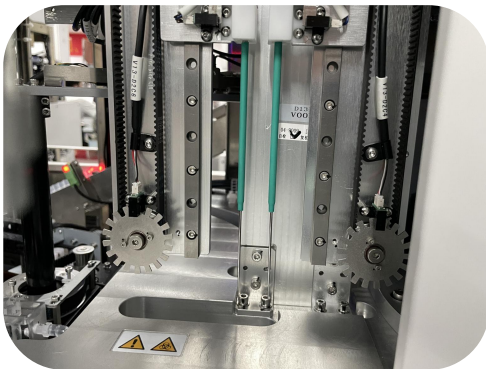
Functional Module



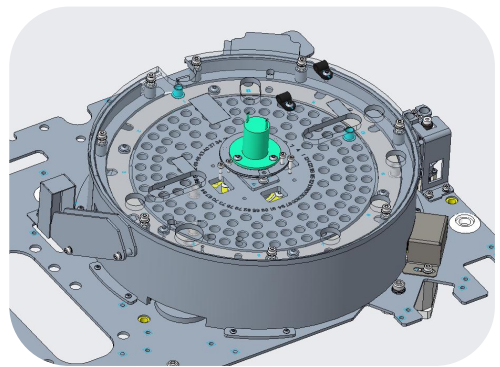
Reagent Positions



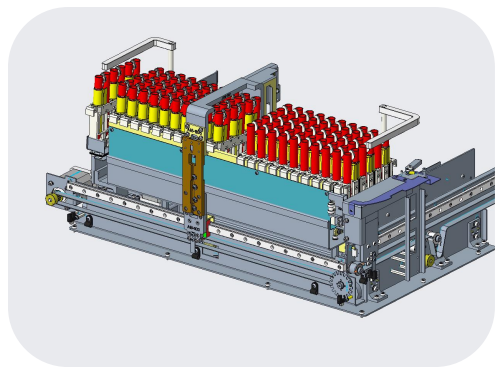
Effective design for pipettor wash to reduce carryover



Multi-pipettor probes, precise detection



Incubation positions



Batch sample loading by tray

Instrument Parameters

Series	Venus 500
Detection Principle	Open platform, supports AE, AP, or HRP systems with magnetic particle
Throughput	450T/H
Sample Positions	120 sample positions. Supports standard blood collection vessel, eppendorf tube, and Hitachi cup
Reagent Positions	32 reagent positions, with refrigeration
Walk-away Time	>2h
Precision	CV \leq 3%
Carryover	\leq 0.1 ppm
Reaction Vessels	1000
STAT Assay	STAT assay at anytime
Operation Screen	15.6-inch touch screen. User friendly. Suitable for all kinds of application scenarios
Smart Alerts	Pipettor probe with liquid level detection, anti-collision, clots detection, air suction alert functions
Dimensions	1020*750*680(mm)

Software Operations



Overview

user friendly/real-time monitoring of test status/real-time monitoring of reagents and consumables/smart alert/ multi-language support



Consumables

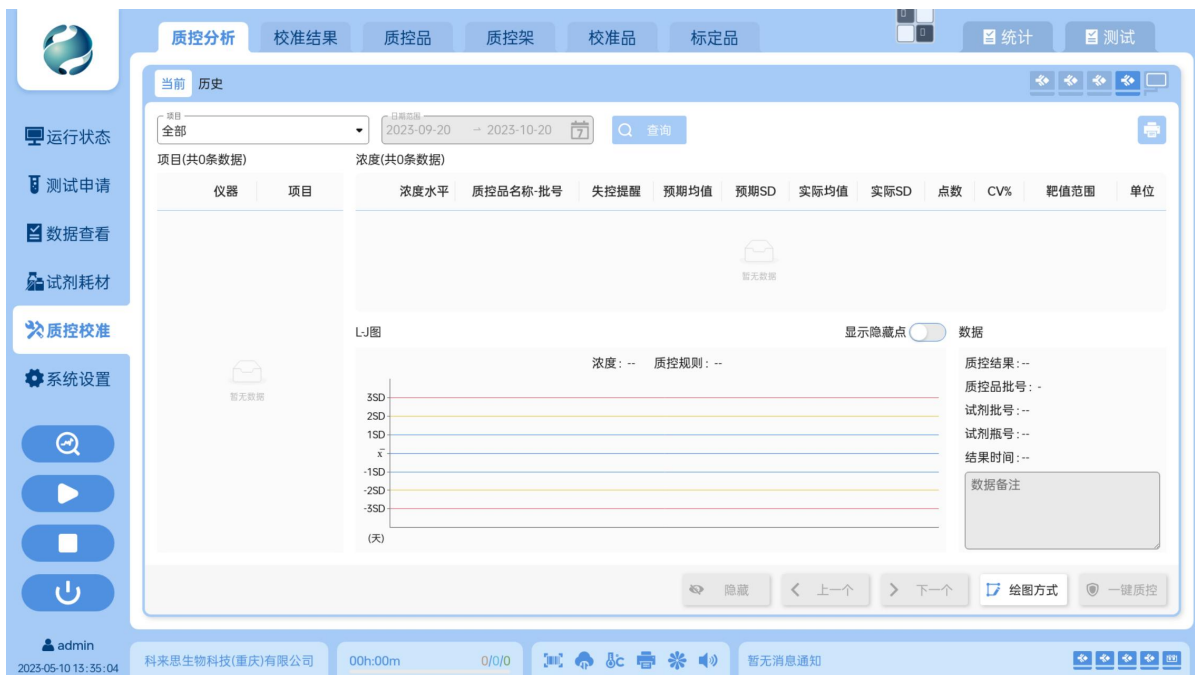
With statistics and real-time monitoring functions; Intelligent acquisition of consumable status, position, and liquid level

Software Operations



Orders

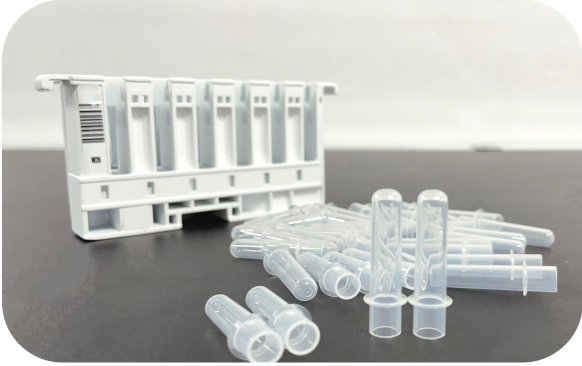
Supports ordering specimen, control, and calibration tests. With smart test data statistics, automatic test classification and display which makes it easy to search, rerun and release tests



QC/CAL

Internal and external quality control assisted with visual charts

Standard Accessories



Reaction vessels



Sample racks



Reagent racks



Substrate bottles

Reagents

Tumor Marker

CYFRA21-1
NSE
AFP
CEA
CA125
SCCA
CA15-3
CA19-9
CA72-4
HE4
PIVKA II
ProGRP
CA50
CA242
LN

Fertility

FSH
E2
AMH
PROG
β-HCG
TESTO
LH
PRL
SHBG

Anemia

VB12
FA
Ferr

Cardiac Marker

hs-cTnI
NT-proBNP
BNP
CK-MB
MYO
LP-PLA2
H-FABP

Thyroid

FT4
FT3
TSH
TT3
TT4
TG
TGAb
TPOAb

Inflammation Monitoring

PCT
SAA
IL-6

Kidney Marker

Cortisol

Endocrine hormone

GH
ACTH

Stomach Marker

PG I
PG II
G17

Coagulation

D-Dimer
FDP
PIC
TAT
TM
tPAI.C

Liver Marker

PIIINP
CIV
HA

Bone Metabolism

PTH
CT
25-OH VD

Glyco Metabolism

C-P
INS